

FEATURES

- Flow ranges: up to 500 SLM
- Supply: 8 - 14 Vdc
- Analog (voltage) or Digital (I C) linear output
- RoHS and REACH compliant
- Media Compatibility: dry gases only
- Operating Pressure: 25 psi



SPECIFICATIONS

Test Conditions: 12±0.01 V, Ta=25 °C. Relative Humidity: 40 % < RH < 60 %

PARAMETERS	MIN	TYP	MAX	UNIT
Range of Flow Rate ¹	-500		+500	SLPM ¹
Output - Zero	2.95	3.00	3.05	V
Output Span		±2.00		V
Output Limit			5.20	V
Accuracy ² (< 75 SLPM)		±1		%F.S. ⁵
Accuracy ² (-150 to 300 SLPM)		±4		%Reading
Accuracy ² (the other)		Not Specified		
Temperature Error		0.15		% of measured value/°C
Repeatability		0.1		%F.S.
Long-term Stability ³		0.5		%F.S.
Response Time		5		ms
Warm-up		100		ms
Bus Voltage		3		V
Temperature - Operating	5		60	°C
Temperature - Storage	-40		60	°C
Supply Voltage ⁴	8		14	V
Supply Current @ 12V	22		23	mA
Wetted Materials	Silicon carbide, epoxy, PPE+PS, FR4 & gold			

Notes:

1. The flow range calibrated at factory
2. SLPM: standard liter per minute. Standard conditions: °C and 1 atmosphere
3. 1000 hrs, 25 °C, zero flow
4. Refer to PMF 4AO5V-B
5. FS here is 300SLPM

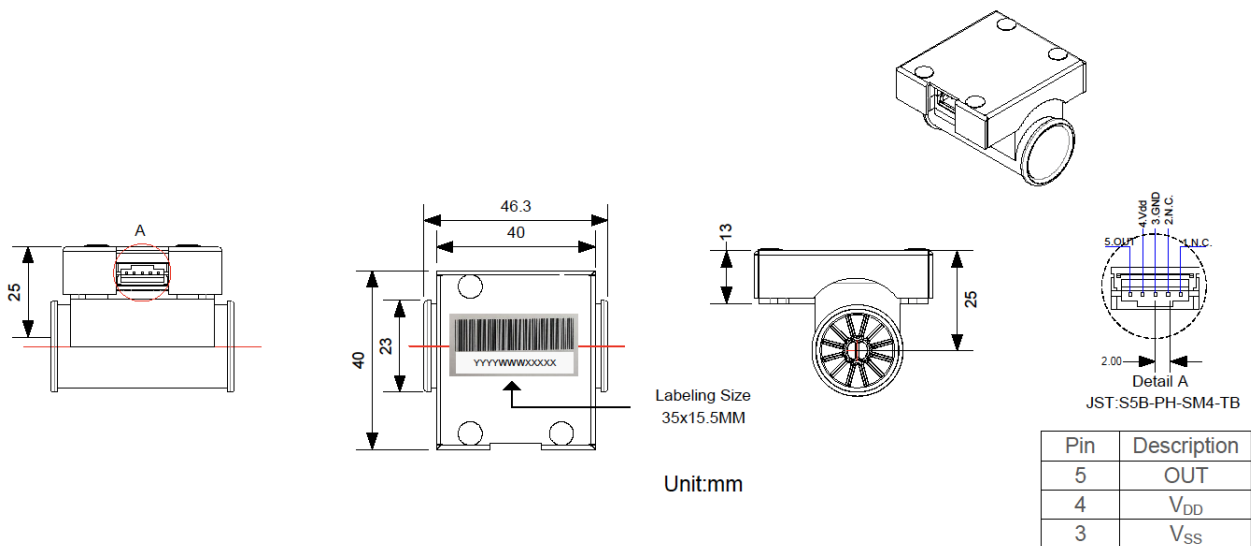
LINEAR OUTPUT

For **PMF4A00V-B (B for bi-direction calibration)**

$$\text{Flow Rate} = [(V_{out} - 3 V) / 2 V] \times \text{Full Scale Flow Rate}$$

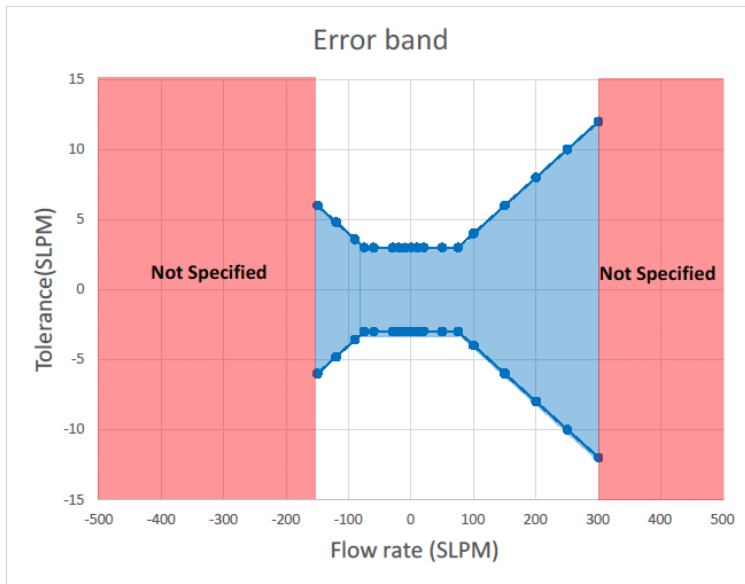
For example, for PMF4A05-B full scale flow rate is 500 SLM. When V_{out} reads 2 V, the Flow Rate is: $[(2 V - 3 V) / 2V \times 500 \text{ SLM}] = -250 \text{ SLM}$ (Reverse direction)

PACKAGE DIMENSIONS

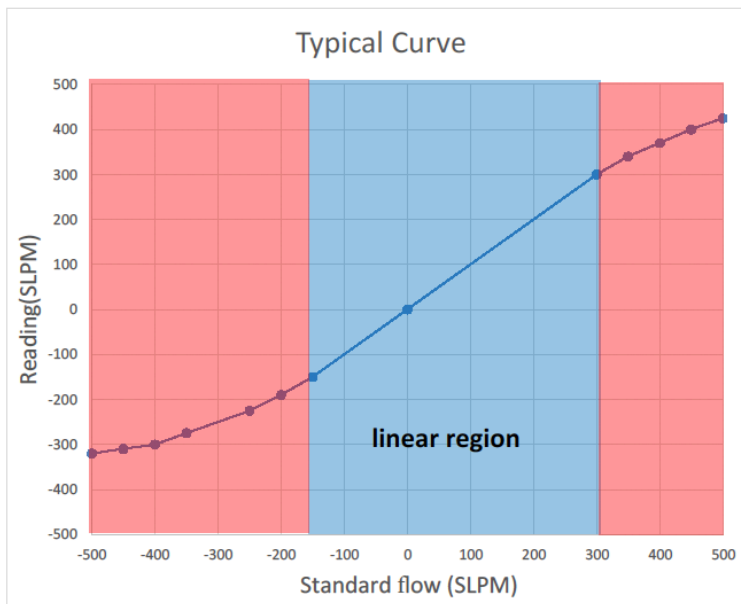


7	7K
G	Gas, air
A	Analog
504	500 SLPM
B	Bi-direction
O	Filter
5	Connector
2	1 to 5V
1	0 °C
3	PMF4A05V-BB

ERROR SPECIFICATIONS



Flow (SPLM)	Tolerance (SLPM)
-500	Not Specified
-150	+/- 6.0
-120	+/- 4.8
-90	+/- 3.6
-60	+/- 3.0
-30	+/- 3.0
-20	+/- 3.0
-10	+/- 3.0
0	+/- 3.0
10	+/- 3.0
20	+/- 3.0
50	+/- 3.0
100	+/- 4.0
150	+/- 6.0
200	+/- 8.0
250	+/- 10.0
300	+/- 12.0
500	Not Specified



Flow (SPLM)	Typical (SLPM)
-500	-320
-450	-310
-400	-300
-350	-275
-250	-225
-200	-190
-150	-150
0	0
300	300
350	340
400	370
450	400
500	425

ORDERING INFORMATION

PART NUMBER	SPECIFICATIONS
PMF4A05V-B	+/-500 SLM, 1 to 5 V, linear, bi-direction

Order I²C Digital Output models by specifying “D” instead of “V” in part numbers above.
Please contact Posifa or your local distributor to place an order.